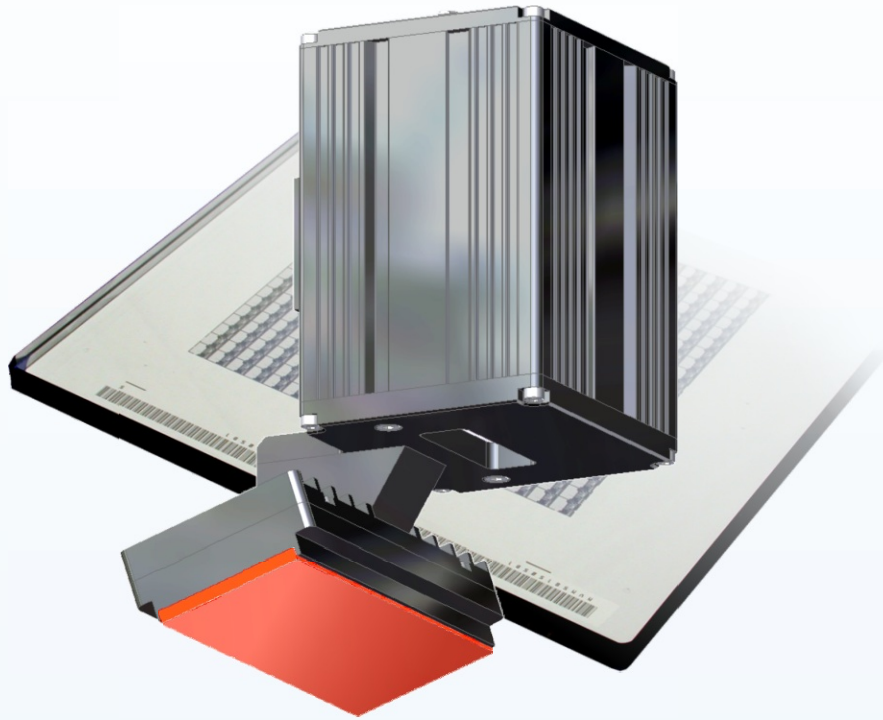
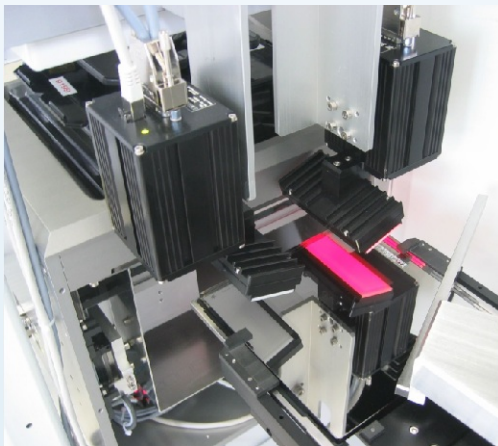


BCA110 - Barcode Scanner for Reticles Reliable reading on all mask types!

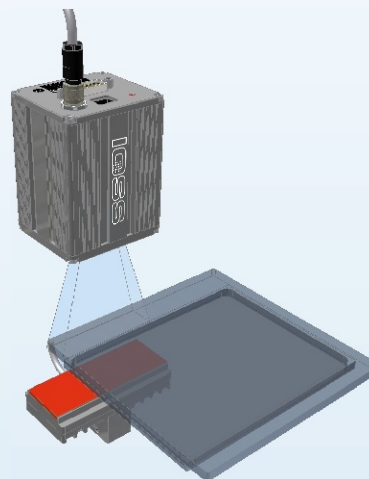
The BCA110 barcode scanner with integrated lightning, is designed to identify barcodes quickly and reliable on a broad variety of reticles.



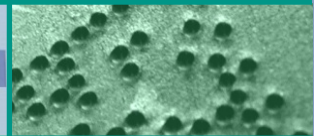
The BCA110 is able to read different codes, even multipart codes. The identification can be done also on moving reticles. Practically proven identification algorithms geared to the semiconductor industry's requirements guarantee maximum reading dependability. Due to its compact design, the BCA110 fits perfect in many production tools. For translucent masks, as PSM or APSM reticles, there is a backlight version available. Communications and connectivity can be flexibly configured using Ethernet and RS232. Another great feature is the simple, intuitive graphical user interface that allows you to quickly and easily configure the BCA110 system for your application.



BCA110 integrated in a Tec-Sem reticle stocker RX series.
Photo by courtesy of Tec-Sem AG Tägerwilen, Switzerland



Option: Backlight



BCA110 Technical Specifications

Application area	Reliable reading of barcodes applied directly to reticles
Sensor technology	CCD progressive scan, 1024 x 320 pixels
Scanning speed	Up to 12 scans/second
Motion speed	Up to 140 mm/s
Scanning distance	Option: Incident lightning Approx. 64 mm to the bottom edge of the housing, approx. 20 mm to the bottom edge of the illumination Option: Backlight Approx. 69 mm to the bottom edge of the housing, approx. 30 mm to the bottom edge of the illumination
Scanning field width	Approx. 70x20mm
Scanning direction	Aligned
Code types	Code 39 and Nikon barcodes (optional: QR Code, using a smaller scanning field)
Parameters configuration	Via PC or notebook
Interfaces	- Ethernet - RS232 - PLC lines for trigger, good/bad and busy signal
Teach In	Simple configuration via graphical user interface
Illumination	Integrated multi-channel LED illumination
Focussing tool	Live image from the camera
Power supply	12 to 24 V DC
Current consumption	Max. 600 mA
Temperature range	0 - 40° C
Weight	Approx. 800 g
Protection class	IP54
Housing	Aluminium, anodized
Dimensions	depends on the type of system: See extra datasheet (mounting)

For more information on our product range, please visit us on the Internet: www.ioSS.de

Subject to change without prior notice.

If you require additional information, please contact us.

