

LV Series

Inductive Load Tester

Applicable Devices MOSFET Transistor IGBT

3702-LV/L 9302-LV/L

The 3702-LV/L is a tester that observes the shape of waveforms in the inductive load of MOSFET at turn off and judges whether it can sustain out of the Safety Operation Area (SOA) defined by V-Gate, IH and IL. In addition, the VDS value in the current value provided by IH can be measured.

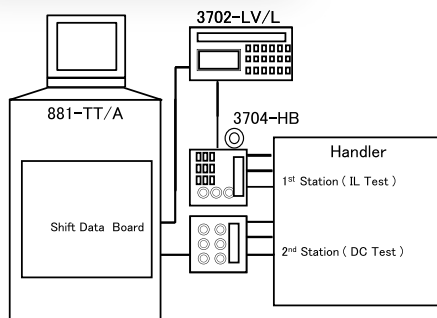
Feature

- N/P channel can be measured with one test head
- The Peak Current (IDP) at Avalanche test can be measured
- Gate On Time can be measured (3702-LV/L)
- Available to have multi test condition at one test start
- Available to have repeat test up to 250 times
- Max. 60 test program can be stored

Optional Software

- LV CONTROL

Hardware Configuration



3702-LV/L

MODEL	3702-LV/L	9302-LV/L
Drain Current (Id)	001.0 ~ 100.0A/000.5 ~ 020.0A	1.0 ~ 100.0A
Peak Drain Current (Idp)	001.0 ~ 150.0A/000.5 ~ 020.0A	-
Drain Voltage (Vd)	010.0 ~ 200.0V	1.0 ~ 100.0V
Base Current (IB)/Reverse Base Current (Ibr)	-	0.01 ~ 20.00A / 0.01 ~ 20.00A
Gate Voltage (Vg)/Reverse Gate Voltage (Vgr)	01.0 ~ 30.0V/01.0 ~ 30.0V	01.0 ~ 30.0V/01.0 ~ 30.0V
Clamp Voltage	Unclamp	30 ~ 2,000V
Voltage Limit (V-GATE)	0000 ~ 2,000V/000.0 ~ 200.0V	30 ~ 2,000V
IH Limit	001.0 ~ 100.0A/000.5 ~ 020.0A	0.1 ~ 100.0A
IL Limit	001.0 ~ 100.0A/000.1 ~ 020.0A	0.1 ~ 100.0A
Gate On Time (TG)	000.0 ~ 999.9us/0000 ~ 9999us	-
Post-Short Detecting Time (DT)	0001 ~ 9999us	-

*For details, please refer to the standard specification sheets of each product.

LV Series

Inductive Load Tester

Applicable Devices — MOSFET — IGBT

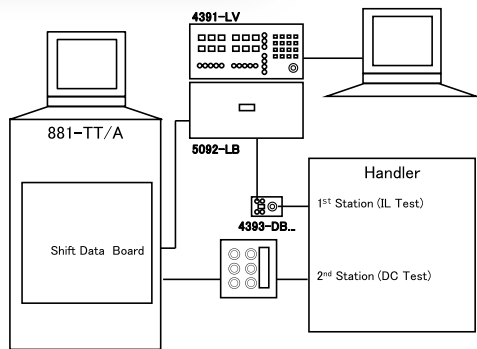
4391-LV

The 4391-LV is a programmable coil type inductive load tester for MOSFET. It tracks the waveforms of VD and ID at turn off and judges whether the voltage raised by the inductance can sustain within the limit range of V-Gate.

Feature

- Programmable Inductive Load Coil (10uH ~ 99.99mH)
- Kelvin Test, Pre and Post Open/Short Test, Single/Dual Die Test
- N/P Channel
- Typical Test Time = 50ms
- Current and Voltage Waveforms are captured, stored and analyzed
- Energy Compensation (Watchdog monitors measured value against Program and implements correction as needed)

Hardware Configuration



4391-LV

MODEL	4391-LV
Maximum IL Current (Ids)	200A
	0.5 ~ 99.9A/0.1A resolution
	100 ~ 200A/1.0A resolution
Maximum Voltage (Vds)	1,500V
Gate Voltage (Vgs)	20.0V/0.1 step
Inductive load bank	Programmable 10uH ~ 99.99mH/10uH step

*For details, please refer to the standard specification sheets of each product.