

Rg, Qg Series

Internal Gate Resistance and Gate Charge Tester for MOSFET

Applicable Devices 3041-R : N/P-channel MOSFET 3042-Q : N-channel MOSFET

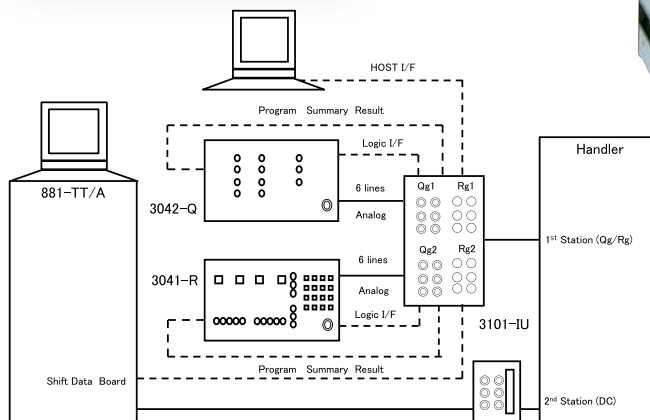
3041-R 3042-Q

The 3041-R measures internal gate resistance (RG) of MOSFET. The 3042-Q measures gate charge (QG) of MOSFET. Both Rg & Qg testers are not only stand-alone use, but also it can be integrated into our DC Tester to upload the test result data. To protect the devices, Open/Short check can be carried out before conducting main measurement.

Feature

- Single or Dual-die MOSFET device test
- Open/Short Pre-test
- Contact check
- Rg/Qg testers can be combined through 3101-IU
- The test result data can be uploaded to our DC Tester

Hardware Configuration



3042-Q(upper) /3041-R(lower)

MODEL	3041-R	3042-Q
Applicable Device	MOSFET	
Host CPU	Personal Computer	
Operating System	Windows	
Test Parameter	Rg	Qg, Qgs, Qgd etc
Test Specification	0.5 ~ 99.9 ohm (Resolution: 0.1 ohm)	0.5 ~ 499.9nC (Resolution: 0.1 nC) Vds: 5.0 ~ 60.0V, ID Max: 2.0 ~ 50.0A, Vgs: 2.0 ~ 15.0V

*For details, please refer to the standard specification sheets of each product.